



BRIDGE RECTIFIERS

MD5BU10

FEATURES

- ✓ Reverse voltage up to 1600V
- ✓ Heat transfer and isolation through Epoxy
- ✓ Robust plastic case with screw terminals
- ✓ Large, Isolated copper base plate
- ✓ Easy chassis mounting

TYPICAL APPLICATIONS

- ✓ Single phase rectifiers for power supplies
- ✓ Input rectifiers for variable frequency drivers
- ✓ Rectifiers for DC motor
- ✓ Battery chargers

TECHNICAL DATA

DEVICE TYPE	V_{RRM} (V)	V_{RSM} (V)
MD5BU10/04	400	500
MD5BU10/12	1200	1300
MD5BU10/16	1600	1700



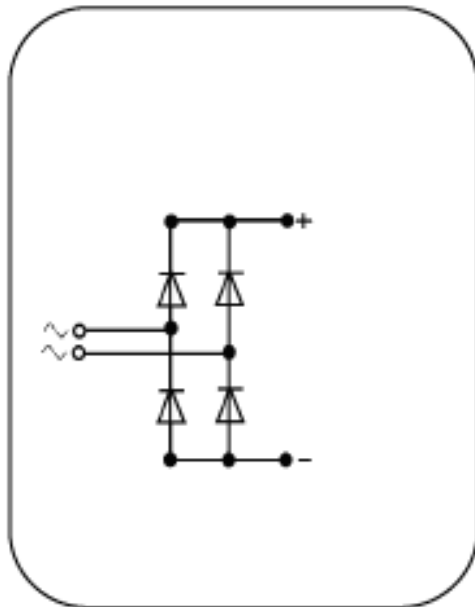
SYMBOL	CONDITIONS	VALUES
$I_{(AV)}$	$T_a = 25^{\circ}\text{C}$ inductive load.	10A
V_{FM}	Maximum peak forward Voltage drop @ 30 Amp peak	1.30 V
I_{FSM}	Maximum peak one cycle (non-rep.) surge current 10 msec	180 A
I^2t	Max. I^2t rating (non-rep.) for 10 msec	160 A^2Sec
I_{RRM}	Peak reverse current at $T_{vj} = 175^{\circ}\text{C}$	5 mA
V_o R_o	$T_{vj} = \text{max}$ $T_{vj} = \text{max}$	0.85 V 3.0 $\text{m}\Omega$
$R_{\theta(j-c)}$ T_{vj} T_{stg}	total Junction temperature Storage temperature	4 $^{\circ}\text{C}/\text{W}$ 150 $^{\circ}\text{C}$ 150 $^{\circ}\text{C}$
Mounting torque		2 Nm/Bolt
Weight	Approx.	30 gms
Package Outline		IR-19



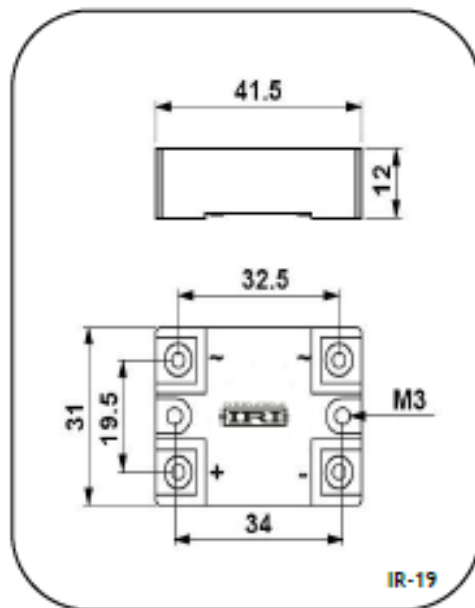
BRIDGE RECTIFIERS

MD5BU10

CIRCUIT DIAGRAM



PACKAGE OUTLINE



All dimensions are in mm.